



**Assembly, Installation, Operation and  
Maintenance Instructions  
4" Oval Straight Side Bar**

**Part Number:  
A1558S/T**

**60 - 180 minutes**

**Dealer / Installer:** Provide a copy of these instructions to the end user of this product. These instructions provide important operating and safety information for proper usage of this product. Demonstrate the proper use of the product with the end user. Have the end user demonstrate that they understand the proper use of the product.

**End User:** Read and follow all instructions included in this manual. Ask your Dealer / Installer for assistance if you do not understand the proper use of the product. Never remove any decals from the product. Failure to follow these instructions can result in injury or death.

**⚠️ WARNING ⚠️**

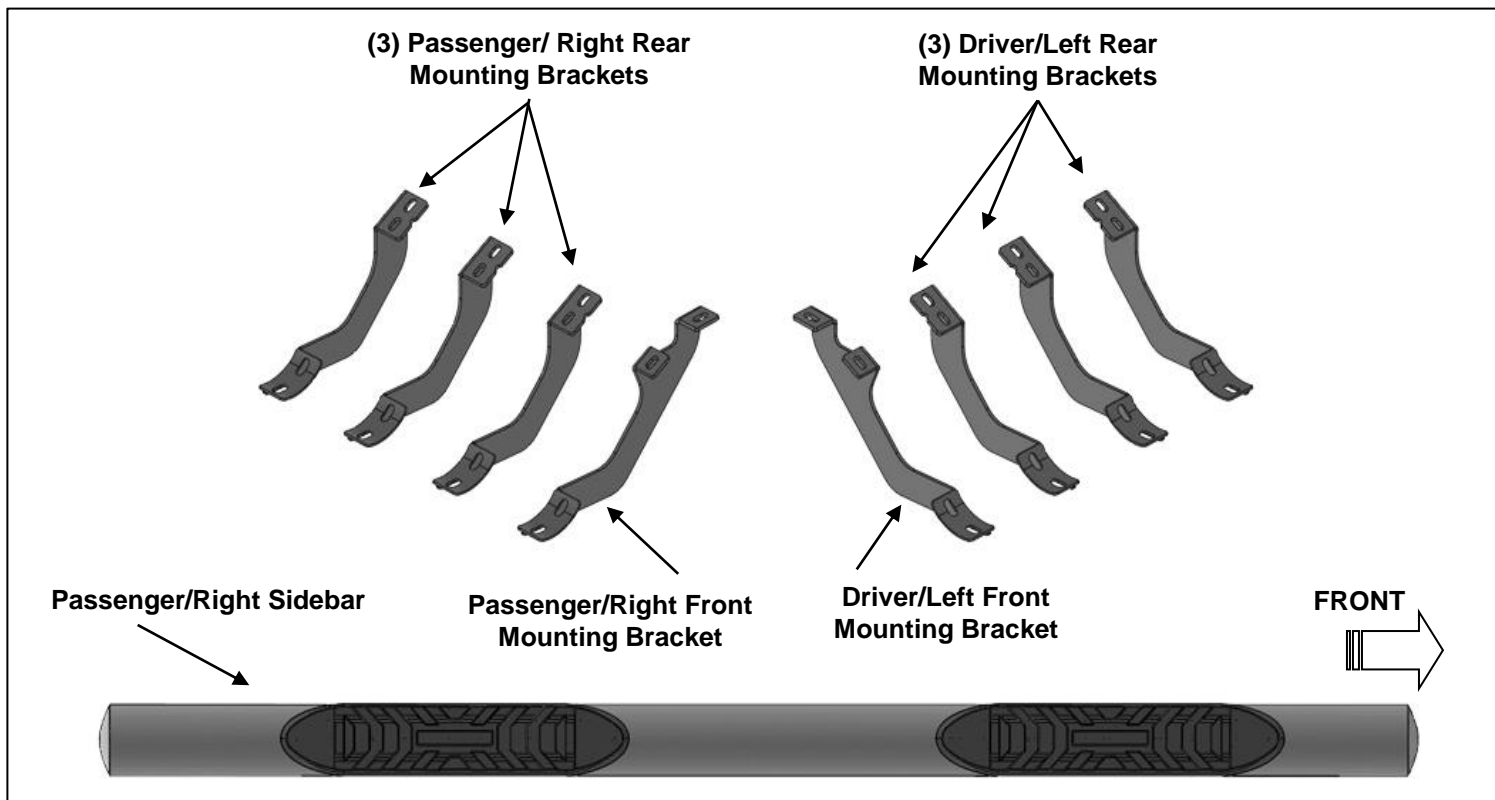
**APPLICATION: 2022-2023 TOYOTA TUNDRA CREWMAX**

**PARTS LIST**

Qty	Part Description	Qty	Part Description
1	Driver/Left Sidebar	3	Passenger/Right Rear Mounting Brackets
1	Passenger/Right Saber Sidebar	16	8mm x 30mm Hex Bolts
1	Driver/Left Front Mounting Bracket	16	8mm x 25mm Combo Bolts
1	Passenger/Right Front Mounting Bracket	16	8mm x 24mm OD x 2mm Flat Washers
3	Driver/Left Rear Mounting Brackets	16	8mm Lock Washers

**TORQUE SPECIFICATION**

Size	Torque	Size	Torque
08 MM	20.0 ft/lbs		



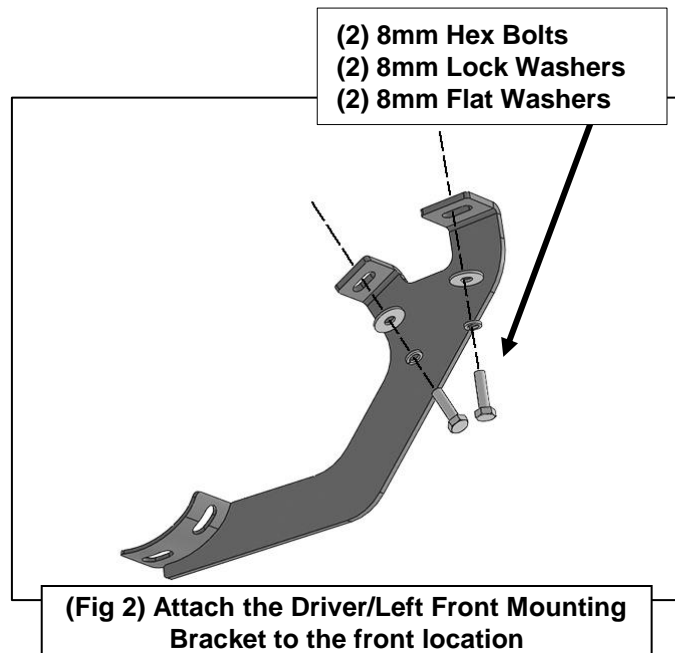
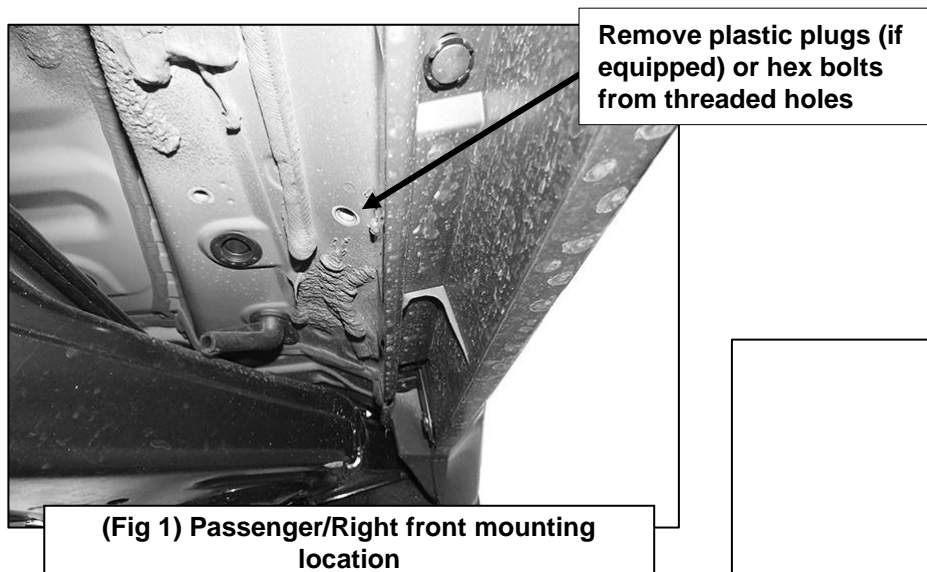
## **INSTALLATION PROCEDURE:**

- 1. REMOVE CONTENTS FROM BOX. VERIFY ALL PARTS ARE PRESENT. READ INSTRUCTIONS CAREFULLY. ASSISTANCE IS HIGHLY RECOMMENDED.**
2. Starting on the Passenger/Right side of the vehicle and remove the plastic plugs or hex bolts from the factory mounting location along the bottom of the body, (Figures 1 & 4).
3. Select the Passenger/Right Front Mounting Bracket. Attach the Bracket to the front location with (2) 8mm Hex Bolts, (2) 8mm Lock Washers and (2) 8mm Flat Washers, (Figures 2 & 3). Do not tighten hardware.
4. Repeat Steps 2 & 3 to attach the (3) Rear Mounting Brackets, (Figures 4—8).
5. Select the Passenger/Right sidebar. Use the illustration above to help determine the correct Sidebar. Attach the Sidebar to the Brackets with (8) 8mm Combo Bolts, (Figure 9). Do not tighten hardware.
6. Level and adjust the Sidebar and tighten all hardware.
7. Repeat Steps 1—6 to attach the Driver/Left Sidebar.
8. Do periodic inspections to the installation to make sure that all hardware is secure and tight

**To protect your investment,** Do not use any type of polish or wax that may contain abrasives that could damage the finish. Mild soap may be used also to clean Sidebars.

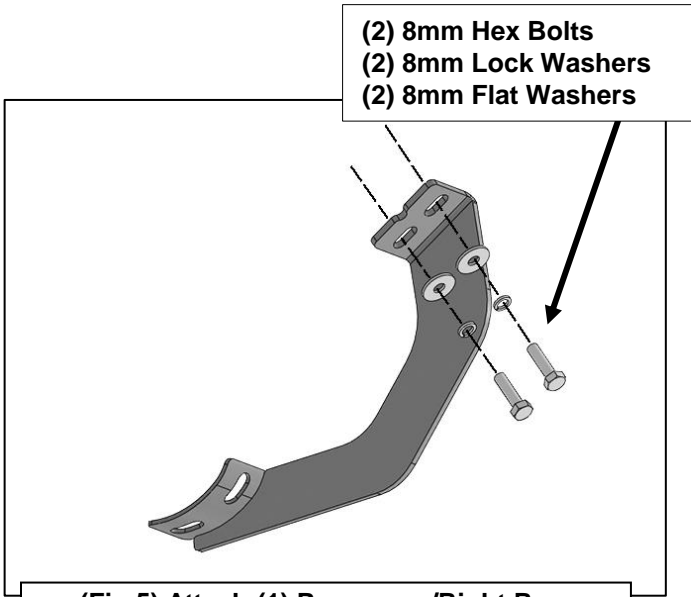
## **INSTALLATION IMAGES:**

### **Passenger/Right Side Installation Pictured**





**(Fig 4) Driver/Left center (2nd) location**



**(Fig 5) Attach (1) Passenger/Right Rear Mounting Bracket to the 2nd location**



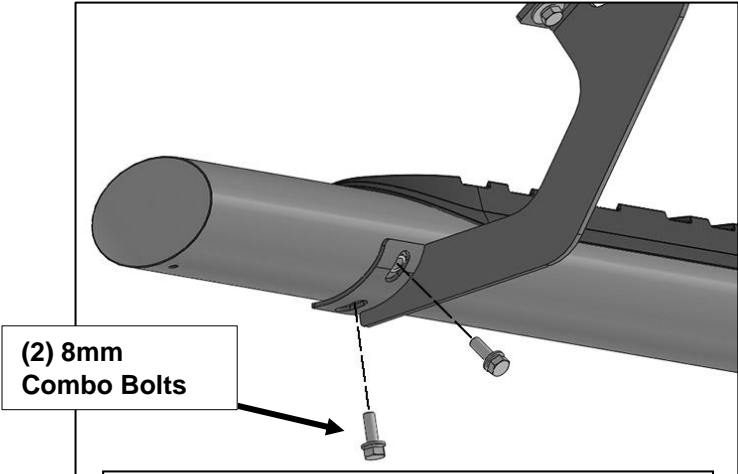
**(Fig 6) (1) Passenger/Right Rear Mounting Bracket attached to the 2nd location**



**(Fig 7) (1) Passenger/Right Rear Mounting Bracket attached to the 3rd location**



**(Fig 8) (1) Passenger/Right Rear Mounting Bracket attached to the rear location**



**(Fig 9) Attach the Passenger/Right Sidebar to the (4) Mounting Brackets**

## **PRODUCT CARE**

- Periodically check the product to ensure all fasteners are tight and components are intact.
- Regular waxing is recommended to protect the finish of the product.
- Use **ONLY** Non-Abrasive automotive wax. Use of any soap, polish or wax that contains an abrasive is detrimental and can scratch the finish leading to corrosion.
- Aluminum polish may be used to polish small scratches and scuffs for Stainless Steel finish.
- Mild soap may be used to clean the product for both Stainless Steel and Black finish.

## **FAQ's**

### **1. Hardware and mounting brackets are not aligning properly**

Ensure that hardware is being used on the correct side of vehicle. In some cases, the hardware may appear the same for driver and passenger side but may alter the alignment of mounting location. Check mounting brackets for both sides.

### **2. Products are thumping / rattling after Installation**

Ensure that all required mounting brackets / hardware's are installed & tightened correctly.

Suggest using white Lithium / regular grease between metal-to-metal contact.

### **3. Missing / Excess Hardware**

Recheck hardware count as per the part list.

### **4. Product not installing properly**

Ensure the Year / Make / Model as well as cab and bed dimensions are correct for the application. Review all steps for installation to ensure they were followed correctly.

### **5. Who should be contacted for questions regarding product / installation assistance?**

[www.trailfx.com](http://www.trailfx.com) / [support@trailfx.com](mailto:support@trailfx.com) or 1-(866) 638-4870

# Warranty Terms:

**Black Powder Coated:**  
**Stainless Steel Polished:**

**3 Year Limited Warranty**  
**Limited Lifetime Warranty**

TrailFX and Keystone Automotive Operations Inc. make no guarantees or warranties for products not manufactured by Keystone Automotive Operations Inc. Such products are covered solely under any applicable warranty of the manufacturer. It is always recommended that the operating instructions and warranty instructions provided by the manufacturer are followed.

Keystone Automotive Operations Inc. warrants its products to be free from manufacturing and material defects to the original purchaser for the length of warranty stated above from the date of retail purchase. If any products are found to have a manufacturing or material defect, the product will be replaced or repaired at the option of TrailFX and Keystone Automotive Operations Inc. with proof of purchase by the original purchaser. The original purchaser shall pay all transportation and shipping costs associated with the return of the defective product and the defective product shall become the property of Keystone Automotive Operations Inc.

The Warranty applies to Keystone Automotive Operations Inc. products used for individual and recreational purposes. Commercial usage of the Keystone Automotive Operations Inc. products limits the warranty to 90-days from date of purchase.

The Warranty applies only to Keystone Automotive Operations Inc. products which are found to be defective in manufacturing or material. This warranty does not apply to normal wear and tear of the finish placed on Keystone Automotive Operations Inc. products.

TrailFX and Keystone Automotive Operations Inc. are not responsible for any labor costs incurred for removal or replacement of the defective product.

TrailFX and Keystone Automotive Operations Inc. are not responsible for repair or replacement of any product under the limited warranty where the product was improperly installed, misapplied, altered, abused, neglected, overloaded, misused or damaged as a result of an accident, including any use of the product not in accordance with all product operating and safety instructions.

Without limiting the generality of the foregoing, TrailFX and Keystone Automotive Operations Inc. shall under no circumstances be liable for any incidental or consequential loss or damage whatsoever arising out of, or in any way relating to any such breach of warranty or claimed defect in, or non-performance of the products. Some states do not allow the exclusion or limitation of incidental or consequential damages, so the above exclusion or limitation may not apply to you.

This limited warranty gives you specific legal rights, and you may also have other rights that vary from state to state.